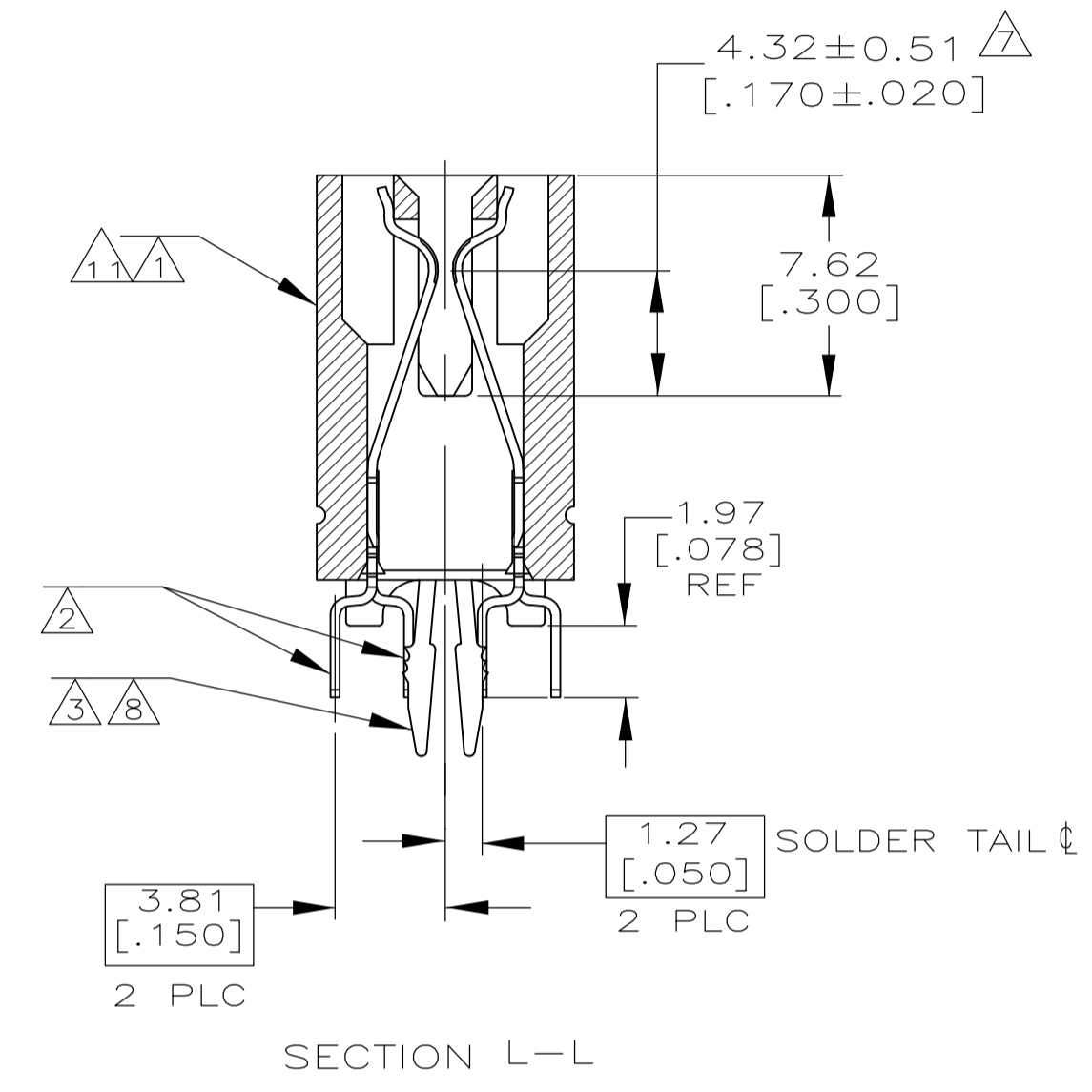
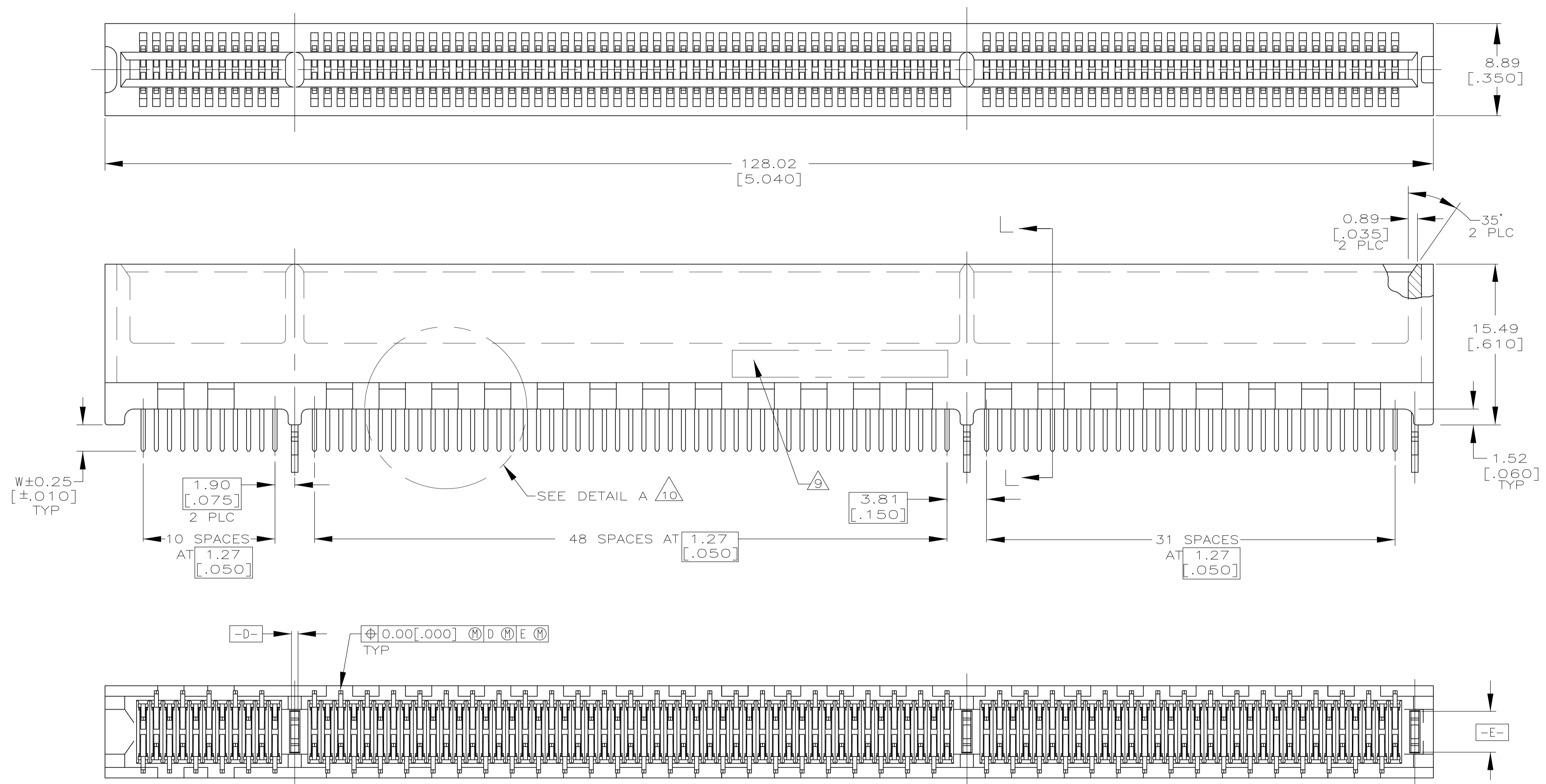
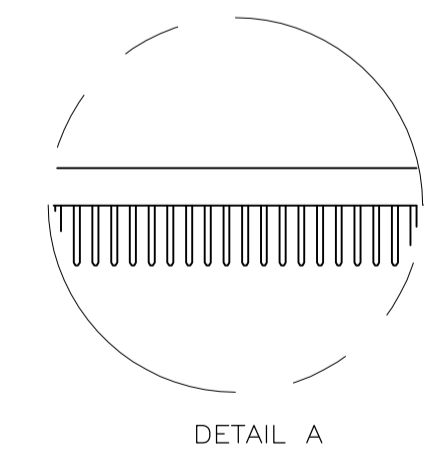


LOC	DIST	REVISIONS			
P	LTR	DESCRIPTION	DATE	DMN	APVD
B		ECO-06-019683	31AUG06	LAM	AWF
B1		REVISED PER ECO-10-000444	19JAN10	KK	HMR



⊕ 0.00 [.000] (M) D (M) E (M) TYP

- ① HOUSING: HIGH TEMPERATURE THERMOPLASTIC. COLOR - NATURAL
- ② CONTACT: PHOSPHOR BRONZE.
- ③ METAL HOLD DOWN: BRASS
- ④ CONTACT FINISH: .001269 [.000050] MIN NICKEL ALL OVER. GOLD FLASH OVER NICKEL IN CONTACT AREA. .002537 [.000100] MIN MATTE TIN OVER NICKEL ON SOLDER TAILS.
- ⑤ CONTACT FINISH: .001269 [.000050] MIN NICKEL ALL OVER. .000375 [.000015] GOLD OVER NICKEL IN CONTACT AREA. .002537 [.000100] MIN MATTE TIN OVER NICKEL ON SOLDER TAILS.
- ⑥ CONTACT FINISH: .001269 [.000050] MIN NICKEL ALL OVER. .000757 [.000030] GOLD OVER NICKEL IN CONTACT AREA. .002537 [.000100] MIN MATTE TIN OVER NICKEL ON SOLDER TAILS.
- ⑦ DISTANCE FROM CONTACT POINT TO BOTTOM OF CARD SLOT.
- ⑧ METAL HOLD DOWN FINISH: .001269 [.000050] MIN NICKEL ALL OVER, .003809 [.000150] MIN MATTE TIN ALL OVER.
- ⑨ AMP PART NUMBER, DATE CODE AND CSA LOGO MARKED IN APPROXIMATE LOCATION SHOWN.
- ⑩ CORED OR SOLID SIDE WALLS ARE AT DISCRETION OF AMP INCORPORATED.
- ⑪ HOUSING: HIGH TEMPERATURE THERMOPLASTIC COLOR- GREEN, PANTONE COLORS 355C OR 365C
- ⑫ HOUSING: HIGH TEMPERATURE THERMOPLASTIC COLOR: BLACK
- ⑬ OBSOLETE PARTS: OBSOLETE CIS STREAMLINING PER D.RENAUD/D.SINISI

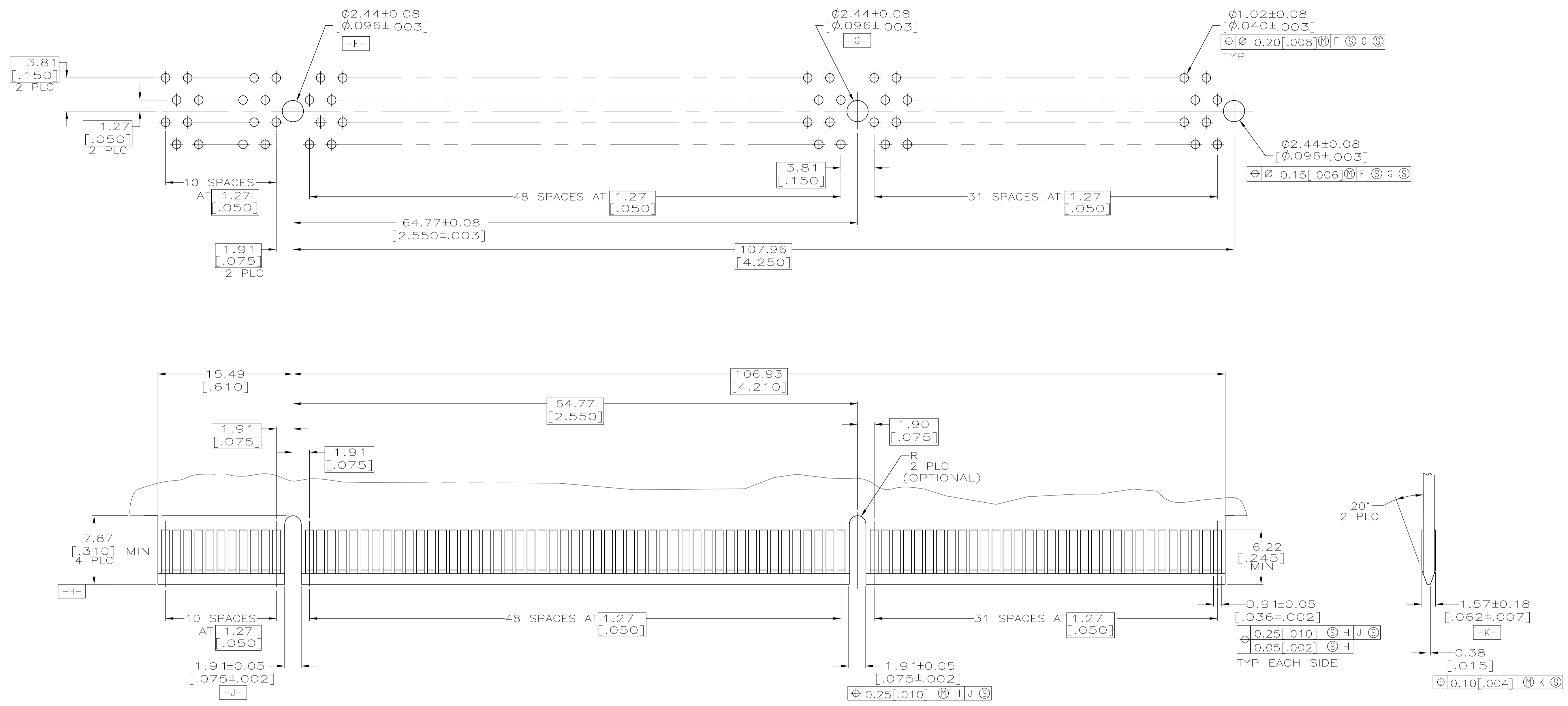


⑬ OBSOLETE	⑫ 2.54 [.100]	⑪ 2-5145168-9
	⑩ 3.18 [.125]	⑨ 2-5145168-8
	⑧ 3.56 [.140]	⑦ 1-5145168-2
	⑦ 3.18 [.125]	⑥ 5145168-8
	⑥ 2.54 [.100]	⑤ 5145168-4
	⑤ 2.54 [.100]	④ 5145168-2
	④ 2.54 [.100]	③ 5145168-1
HSG MATL	W	FINISH
		PART NUMBER

THIS DRAWING IS A CONTROLLED DOCUMENT.

DIMENSIONS: mm TOLERANCES UNLESS OTHERWISE SPECIFIED: 0 PLC ± - 1 PLC ± - 2 PLC ± 0.25 [.01] 3 PLC ± 0.127 [.005] 4 PLC ± ± .2 ANGLES ± ± °	DWN AL FRANTUM 22 JAN 05 CHK AL FRANTUM 22 JAN 05 APVD S.FLICKINGER 25JULY2006 NAME S.FLICKINGER PRODUCT SPEC 108-14034 APPLICATION SPEC 114-26012 WEIGHT - CUSTOMER DRAWING	Tyco Electronics Corporation Harrisburg, Pa 17105-3608 CONNECTOR ASSEMBLY, 92 DUAL POSITION, 1.27 (.050) SERIES SIZE A1 CASE CODE 00779 DRAWING NO. 5145168 SCALE 4:1 SHEET 1 OF 2 REV B1
--	---	---

LOC		DIST		REVISIONS				
P	LTR	DESCRIPTION	DATE	DN	APVD			
		SEE SHEET 1						



THIS DRAWING IS A CONTROLLED DOCUMENT.		DN AL FRANTUM 22 JAN 05	Tyco Electronics Corporation Harrisburg, Pa 17105-3608
DIMENSIONS: mm		CHK AL FRANTUM 22 JAN 05	
TOLERANCES UNLESS OTHERWISE SPECIFIED:		APVD S FLICKINGER 26/JUL/2006	NAME
0 PLC ± - 1 PLC ± - 2 PLC ± 0.25 [.01] 3 PLC ± 0.127 [.005] 4 PLC ± ± ± ANGLES ± ± ±		PRODUCT SPEC	CONNECTOR ASSEMBLY, 92 DUAL POSITION, 1.27 (.050) SERIES
MATERIAL SEE SHEET 1		FINISH SEE SHEET 1	APPLICATION SPEC
WEIGHT		114-26012	SIZE
CUSTOMER DRAWING		SCALE 4:1	RESTRICTED TO
		SHEET 2 OF 2	REV B1